

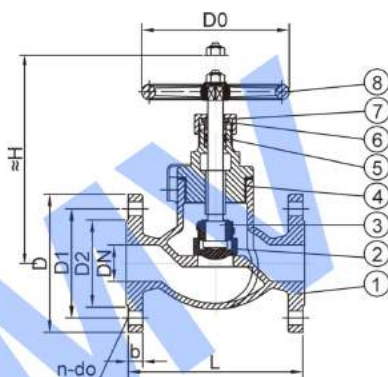
ANSI

VALVES ACCORDING TO
AMERICAN NATIONAL
STANDARDS INSTITUTE (ANSI).

The valves in this section mainly follow the normative dimensions and pressure classes from the mentioned standardization organization. If not found here you may find the type of valve suitable for your need in other sections as well and we may also have the possibility to adopt a valve to fit your needs. Don't hesitate to contact us with any inquiry.

DESCRIPTION: Straight type, Rg5 body, metal seated screw down stop valve with rising stem, bolted bonnet. Raised face flanged.

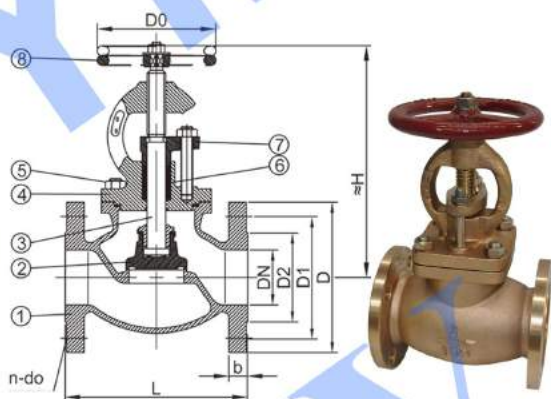
APPLICATION: Start/stop and flow control of: Sea water, water, steam and oils etc. Suitable as sea direct.



DN 15~40

NO.	PART NAME	Material
1	Body	Bronze
2	Disc	Bronze
3	Stem	Brass
4	Bonnet	Bronze
5	Packing	PTFE
6	Gland	Brass
7	Nut	Brass
8	Handwheel	Cast iron

General Specification	
Face to Face	
Design Std	
Flange Std	ANSI B16.5
Test Std	API 598
Applicable temperature	≤200°C
Pressure rating	ANSI 150Lb

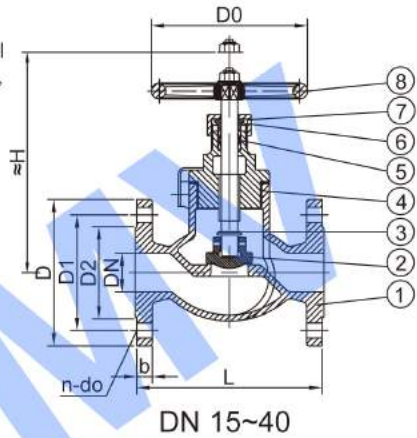


DN 50~150

DN	L	≈H	D	D1	D2	b	n	d0	D0
15	108	100	89	60.5	35	12	4	16	80
20	117	112	98	69.9	43	12.7	4	16	100
25	127	125	108	79.2	51	14	4	16	125
32	140	136	117	89	63	15	4	16	125
40	165	155	127	98.6	73	16	4	16	140
50	203	288	152	120.7	92	19	4	19	140
65	216	334	179	139.7	105	22.4	4	19	160
80	241	362	190	152.4	127	24	4	19	200
100	292	417	229	190.5	157	24	8	19	250
125	356	450	254	216	186	24	8	22	250
150	406	505	279	241.3	216	26	8	22	280

DESCRIPTION: Straight type, Rg5 body, metal seated screw down stop valve with rising stem, bolted bonnet. Raised face flanged.

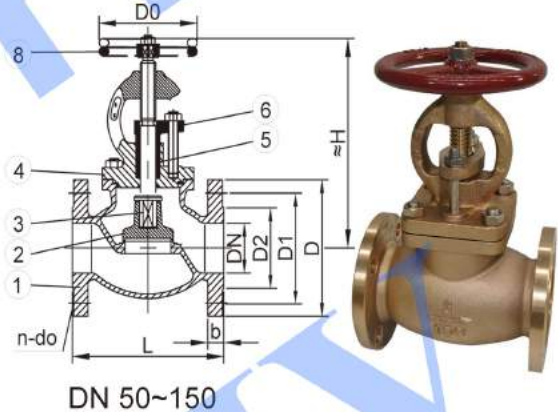
APPLICATION: Start/stop and flow control of: Sea water, water, steam and oils etc. Suitable as sea direct.



ANSI

NO.	PART NAME	Material
1	Body	Bronze
2	Disc	Bronze
3	Stem	Brass
4	Bonnet	Bronze
5	Bolt/Nut	SS
6	Packing	PTFE
7	Gland	Bronze
8	Handwheel	Cast iron

General Specification	
Face to Face	ANSI B16.10
Design Std	MSS SP-80
Flange Std	ANSI B16.5
Test Std	API 598
Applicable temperature	≤200°C
Pressure rating	ANSI 150Lb

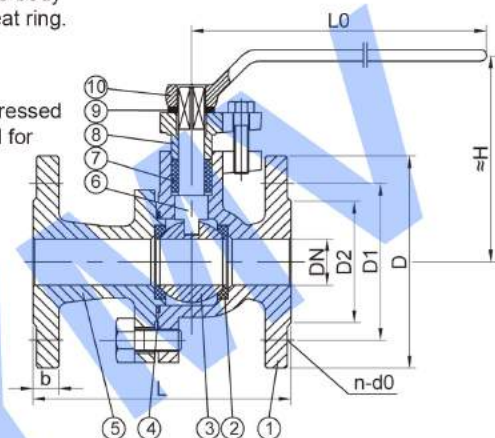


DN	L	≈H	D	D1	D2	b	n	d0	D0
15	108	100	89	60.5	35	12	4	16	80
20	117	112	98	69.9	43	12.7	4	16	100
25	127	125	108	79.2	51	14	4	16	125
32	140	136	117	89	63	15	4	16	125
40	165	155	127	98.6	73	16	4	16	140
50	203	288	152	120.7	92	19	4	19	140
65	216	334	179	139.7	105	22.4	4	19	160
80	241	362	190	152.4	127	24	4	19	200
100	292	417	229	190.5	157	24	8	19	250
125	356	450	254	216	186	24	8	22	250
150	406	505	279	241.3	216	26	8	22	280

DESCRIPTION: Two piece, full bore, Rg5 body ball valve with SUS 304 ball and PTFE seat ring. Raised face flanged.

APPLICATION: Start/stop flow of: Compressed air, gases and liquids. Typically also used for drain and vent purposes.

NO.	PART NAME	Material
1	Body	Bronze
2	Seat	PTFE
3	Ball	SS
4	Seal	PTFE
5	Bonnet	Bronze
6	Stem	SS
7	Packing	PTFE
8	Gland	Bronze
9	Position board	SS
10	Hand lever	WCB



ANSI

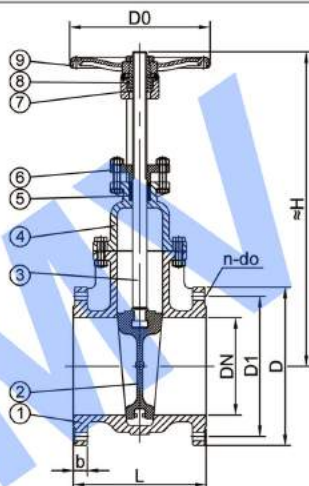
General Specification	
Face to Face	ANSI B16.10
Design Std	API 608
Flange Std	ANSI B16.5
Test Std	API 598
Applicable temperature	≤200°C
Pressure rating	ANSI 150Lb



DN	L	≈H	D	D1	D2	b	n	d0	L0
15	108	87.5	89	60.5	35	12	4	16	140
20	117	100	98	69.9	43	12.7	4	16	140
25	127	115	108	79.2	51	14	4	16	150
32	140	135	117	89	63	15	4	16	180
40	165	155	127	98.6	73	16	4	16	200
50	178	156	152	120.7	92	16	4	19	250
65	190	175	179	139.7	105	18	4	19	300
80	203	195	190	152.4	127	20	4	19	300

DESCRIPTION: Rg5 body gate valve.
Bolted bonnet. Raised face flanged.

APPLICATION: Start/stop flow with minimized pressure drop for water and sea water etc.
Suitable as sea direct.



ANSI

NO.	PART NAME	Material
1	Body	Bronze
2	Disc	Bronze
3	Stem	Brass
4	Bonnet	Bronze
5	Packing	PTFE
6	Gland	Bronze
7	Agile	Brass
8	Hand wheel	Cast iron

General Specification

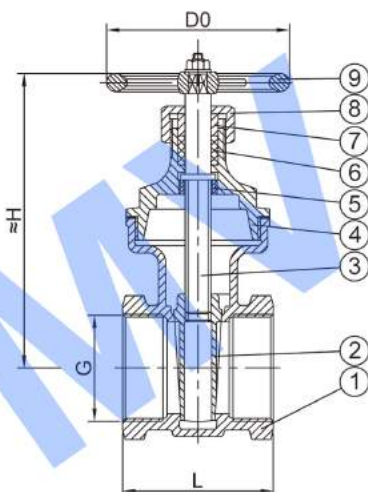
Face to Face	ANSI B16.10
Design Std	API 600
Flange Std	ANSI B16.5
Test Std	API 598
Applicable temperature	≤200°C
Pressure rating	ANSI 150Lb



DN	L	≈H	D	D1	D2	b	n	d0	D0
50	178	325	152	120.7	92	19	4	19	180
65	190	350	179	139.7	105	22.4	4	19	190
80	203	380	190	152.4	127	24	4	19	200
100	229	460	229	190.5	157	24	8	19	230
125	254	630	254	216	186	24	8	22	250
150	267	635	279	241.3	216	26	8	22	260
200	292	765	343	298.5	270	28	8	22	290
250	330	895	406.4	362	324	30	12	26	330

DESCRIPTION: Rg5 body gate valve.
ISO 228 female thread.

APPLICATION: Start/stop flow with minimized pressure drop for water and sea water etc.
Suitable as sea direct.



ANSI

NO.	PART NAME	Material
1	Body	Bronze
2	Disc	Bronze
3	Stem	Brass
4	Bonnet	Bronze
5	Nut	Brass
6	Packing	PTFE
7	Gland	Brass
8	Nut	Brass
9	Handwheel	HT200



General Specification

Design Std	API 600
Thread Std	ISO 228
Test Std	API 598
Applicable temperature	≤200°C
Pressure rating	ANSI 150Lb

DN	G	L	≈H	D0
20	3/4"	60	95	80
25	1"	70	95	80
32	1-1/4"	72	145	80
40	1-1/2"	75	148	100
50	2"	85	165	100

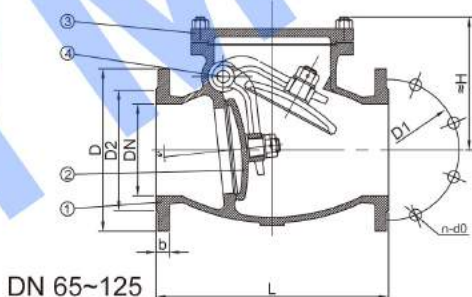
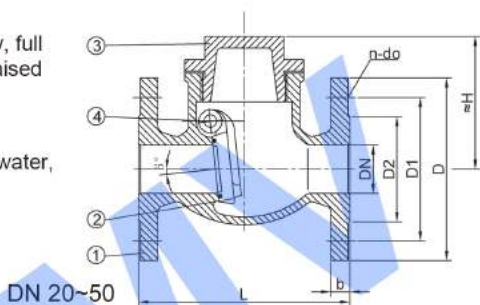
DESCRIPTION: Straight type, Rg5 body, full bore metal seated swing check valve. Raised face flanged.

APPLICATION: Preventing backflow in water, sea water and oil systems etc.

ANSI

NO.	PART NAME	Material
1	Body	Bronze
2	Disc	Bronze
3	Bonnet	Bronze
4	Plug	Brass

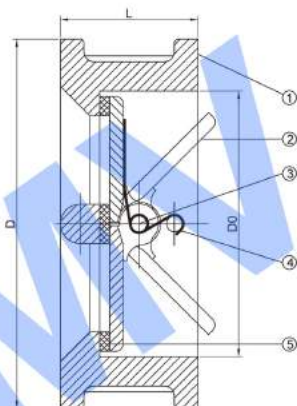
General Specification	
Face to Face	ANSI B16.10
Design Std	ANSI B16.34
Flange Std	ANSI B16.5
Test Std	API 598
Applicable temperature	≤200℃
Pressure rating	ANSI 150Lb



DN	L	≈H	D	D1	D2	b	n	do
20	117	70	98	69.9	43	12	4	16
25	127	70	108	79.2	51	14	4	16
32	140	80	117	89	63	15	4	16
40	165	93	127	98.6	73	16	4	16
50	203	100	152	120.7	92	16	4	19
65	216	119	178	139.7	105	18	4	19
80	241	129	190	152.4	127	20	4	19
100	292	145	229	190.5	157	24	8	19
125	356	180	254	216	186	24	8	22

DESCRIPTION: Wafer type, NBR lined bronze body, spring tensioned dual check valve with soft sealing bronze plates.

APPLICATION: Preventing backflow in water, sea water and oil systems etc.



ANSI

NO.	PART NAME	Material
1	Body	Bronze
2	Valve clack	Bronze
3	Clack shaft	SS
4	Spring	Spring steel
5	Seal	NBR



General Specification	
Face to Face	API 594
Design Std	API 594
Test Std	API 598
Applicable temperature	≤200°C
Pressure rating	ANSI 150Lb

DN	L	D	D0
50	60	103	51
65	67	122	65
80	73	135	80
100	73	173	102
125	86	195	127
150	98	220	152
200	127	277	203
250	146	337	254
300	181	407	305
350	184	448	350
400	191	512	400
450	203	547	450